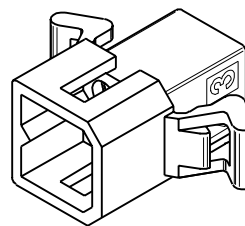
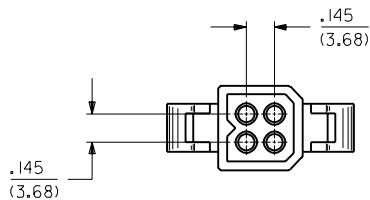
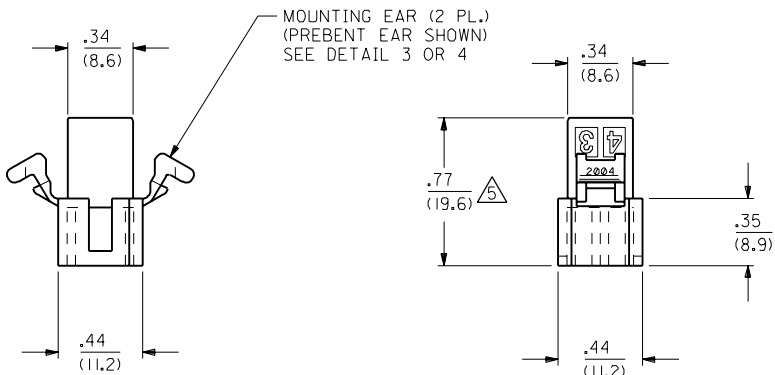
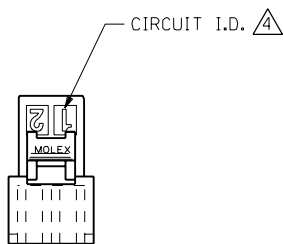


ENG. NO. LOCATION FOR PARTS W/O MTC. EARS



**PLUG HOUSING**

K				OBsolete P/N UCR2002-0270 COMERC I 01/10/1
J2				X-REMOVE PER ECN U3 0816 GC 5/25/93 RW
J1				X-RELEASE PER ECN U3 0769 GC 5/18/93 RW
J				REV. PER ECN ECN U2-1825 AFG 92-12-18 RW
I				REDRAWN & REV'D. ON CAD. ECR U1 1774 GC 8/27/91
K	3	K		
I	2	I		
K	1	K		
MFG. SH.	REV.	LTR.		REVISIONS

**REVISE ONLY ON CAD SYSTEM**

TITLE: **PLUG AND RECEPTACLE HOUSINGS, 4 CIRCUIT .062/(1.57) DIA.**

DATE: 8/27/91

SHEET NO. 1 of 3

MOLEX INCORPORATED U.S.A.

FILE NAME: H2004C4 504

SCALE: 2: 1

DRWG. NO. SD-2004-\*

DRWG. BY: GC CHK'D BY: RW

APP'D BY: RS

THIS DRAWING CONTAINS INFORMATION THAT IS PROPRIETARY TO MOLEX INC. AND SHOULD NOT BE USED WITHOUT WRITTEN PERMISSION.

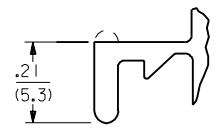
PLUG		
PART NO.	ENG. NO.	
03-06-2043	2004-P	
03-06-7043	2004-PBK	
03-06-2044	2004-PI	
03-06-7044	2004-PIBK	
PRELIMINARY	2004-P2	
03-06-7045	2004-PIRD	<b>OBSOLETE</b>
03-06-7046	2004-PIBN	<b>OBSOLETE</b>
03-06-7047	2004-PIOR	<b>OBSOLETE</b>

RECEPTACLE		
PART NO.	ENG. NO.	
03-06-1043	2004-R	
03-06-6043	2004-RBK	
03-06-1044	2004-RI	
03-06-6044	2004-RIBK	<b>OBSOLETE</b>
03-06-1046	2004-R3	<b>OBSOLETE</b>
03-06-1052	2004-R5	<b>OBSOLETE</b>
03-06-6052	2004-R5BK	<b>OBSOLETE</b>
PRELIMINARY	2004-R2	
03-06-6045	2004-RRD	<b>OBSOLETE</b>
03-06-6046	2004-RBN	<b>OBSOLETE</b>
03-06-6048	2004-ROR	<b>OBSOLETE</b>

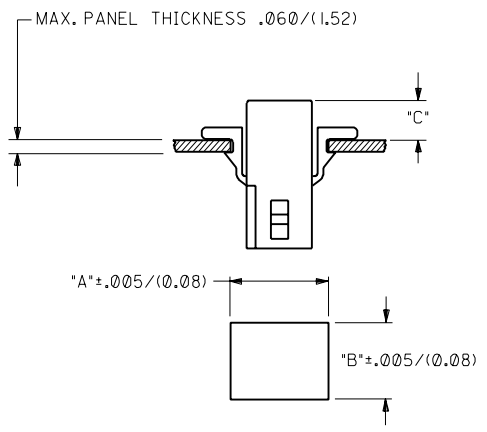
**LEGEND:**

2004-\*\*\*  
 P = PLUG  
 R = RECEPTACLE

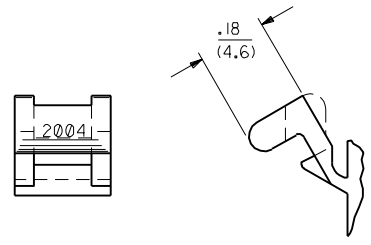
BLANK = WITH STANDARD EARS  
 1 = WITHOUT EARS  
 2 = WITH PREBENT EARS  
 3 = W/O EARS, W/O DETENTS  
 5 = W/O EARS, WITH POSITIVE LOCKS



**NOTE:**  
 THIS DRAWING ENCOMPASSES ALL 2004 SERIES HOUSINGS EXCEPT 2004-R7.



- NOTES:**
- MATERIAL - NYLON TYPE 6/6, 94V-2
  - THIS PRODUCT COMPLIES WITH MOLEX PRODUCT SPEC 02-06.
  - HOUSINGS FOR USE WITH MOLEX .062/(1.57) DIA. SERIES TERMINALS.
  - CIRCUIT I.D. NUMBERS ON SIDE OF HOUSING APPEAR ON PARTS FROM TOOLS BUILT AFTER 8/26/91.
  - THIS DIMENSION .020/(0.51) LESS ON TOOLS BUILT PRIOR TO 8/26/91.



**DETAIL 4**

PREBENT MOUNTING EARS  
 (SCALE 4:1)

HOUSING	DIM. "A"	DIM. "B"	PREBENT EAR DIM. "C"	STD. EAR DIM. "C"
PLUG	.615 (15.62)	.465 (11.81)	.26 (6.6)	.26 (6.6)
RECEPTACLE	.506 (12.85)	.400 (10.16)	.24 (6.1)	.24 (6.1)

DIMENSIONS SHOWN (METRIC) INCH  
 UNLESS OTHERWISE SPECIFIED TOLERANCES ANGULAR ± 10°

3 PLACE ± .010	---
2 PLACE ± .014	± 0.25
1 PLACE ---	± 0.36

DRAFT WHERE APPLICABLE MUST REMAIN WITHIN DIMENSIONS

DRWG. NO. SD-2004-\*

MOLEX INCORPORATED U.S.A.

DATE 8/28/91

FILE NAME H2004C4

THIS DRAWING CONTAINS INFORMATION THAT IS PROPRIETARY TO MOLEX INC. AND SHOULD NOT BE USED WITHOUT WRITTEN PERMISSION.

REV.	DATE	BY	CHK'D.	SCALE
1		JJS	RW	2:1
2		RS		

NO.	DESCRIPTION
K	SEE SHEET 1
J2	SEE SHEET 1
J1	SEE SHEET 1
J	SEE SHEET 1
I	SEE SHEET 1